

Step 4

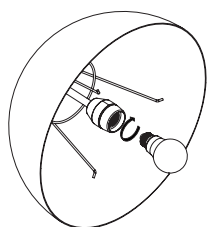
Place the canopy cup onto the metal bracket and twist to secure it in the right position.

andtradition.com



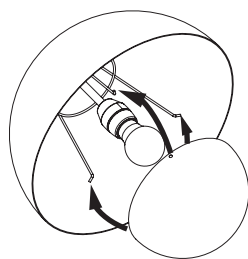
Instructions

Flowerpot VP7
By Verner Panton
1968



Step 5

Install the lightbulb.



Step 6

Mount the shade onto the three pronged arm inside the shade as shown in the diagram. Switch on the power supply at the fusebox and enjoy your new lamp.

CE   IP20 

&Tradition®

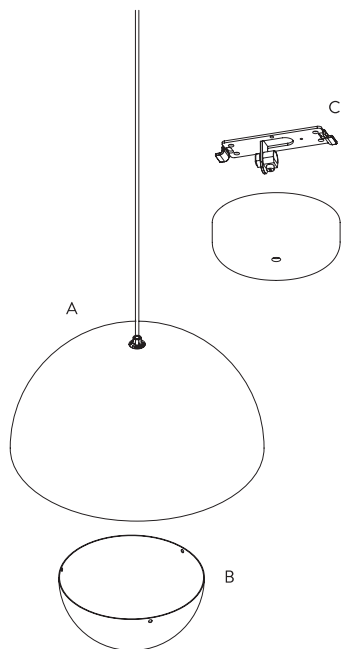
Congratulations on choosing the original Flowerpot lamp, designed in 1968 by Verner Panton. We hope you will enjoy using this lamp and follow these instructions to ensure correct installation. If you have any questions or comments, please do not hesitate to contact us by mail on:

info@andtradition.com

Flowerpot VP7

By Verner Panton

1968



Please read these instructions carefully and retain them for future reference to ensure that the product is used correctly. For your own safety, please study each step of this instruction manual first. &Tradition is not responsible for any faults or damages caused by not following these instructions correctly. Do not modify this product in any way.

Contents

- A Lamp shade with 3 meter fabric cord
- B Bottom shade
- C Canopy with metal ceiling bracket

Tools needed

- Bulb type E27
- Cable Cutters
- Cable Strippers
- Small flat headed screwdriver for wiring

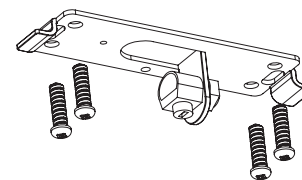
Safety precautions

- Dispose of plastic bag from packaging and do not allow children to play with it.
- Keep product well out of children's reach.
- The lamp is only intended for interior use.
- Do not attempt installation of product if you are not competent to do so yourself.
- Consult a professionally qualified electrician if in any doubt.
- Do not place the cable within reach of small children or anywhere there is a risk of falling over it.

Cleaning instructions

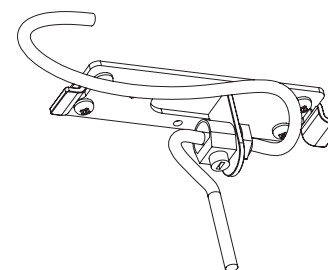
- Wipe surface of lamp shade with a soft, damp sponge or cloth.
- Do not use any abrasive cleaning tools such as steel wool, scouring sponges or stiff brushes.
- Never use strong cleaning agents such as white spirit, turpentine, household glass cleaner or cellulose thinners.
- Only wipe the inside of the shade with a soft, damp cloth or feather duster.

For indoor use only
Maximum 100W (≈ 1530 Lumen)
E27 bulb not included



Step 1

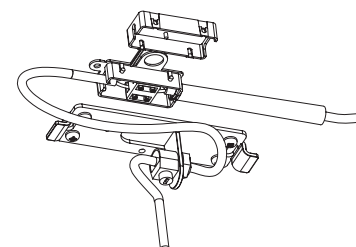
Ensure power supply is turned OFF and remove any existing lamp fittings. Locate the supply cable and ensure it is ready to be fitted to the connector block. Mount the metal bracket securely in the ceiling with screws and wall plugs, appropriate for the ceiling of installation.



Step 2

Slide the cable through the strain relief on the metal bracket and pull until you have found the proper height for the lamp.

Tighten the screw to secure the lamp in the right height.



Step 3

Use the terminal block inside the connection box to assemble the wires from the pendant with the wires from the power supply. Close the connection box and place it inside the canopy.